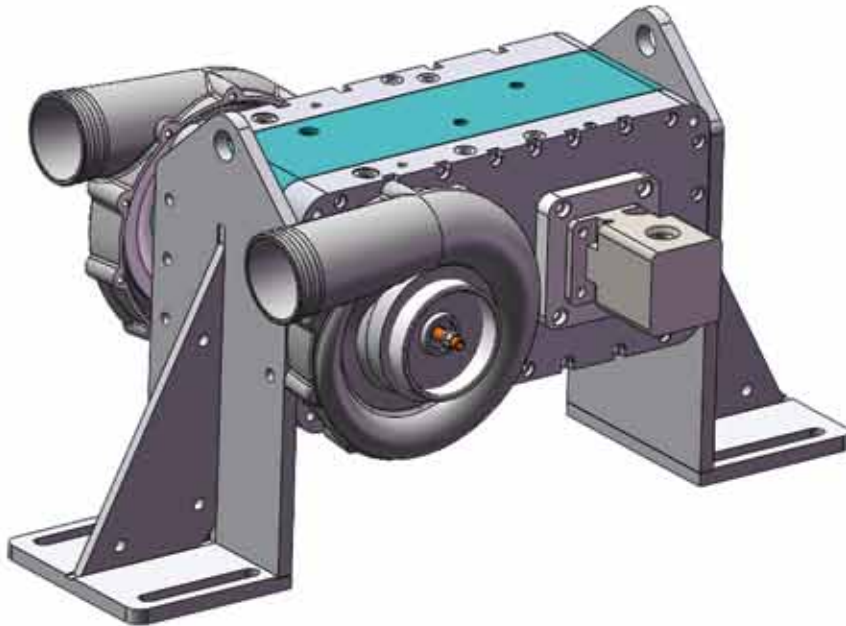


### The Most Compact and Economical High-Performance, High-Efficiency Centrifugal Compressors



- 5,000 CFM, 15 psi (parallel, 1 stage)
- 2,500 CFM, 40 psi (series, 2 stage)
- 24x7 Duty Cycle
- 11.7:1 Step-Up Ratio; Internally Geared
- Innovative, Dual Volute Design
- Low Energy / Power Requirements provide significant energy savings, typically 10 - 35%
- Low Operational Noise Level
- Lower Compressed Air Temperatures vs. Typical Positive-Displacement Blowers
- Self-Contained Lubrication System
- Compatible / Available with Airflow Control Systems
- Compact Size / Small Footprint

Inovair is the leading supplier of compressors for military and commercial aircraft deicing

### Inovair™ 5000 Compressor: Centrifugal Compressor Technology Provides Substantial Energy Savings

Innovative, dual volute design provides additional airflow output while maintaining a relatively small footprint. Like the other Inovair Compressors, the Inovair 5000 will provide a low cost per cfm and will be compatible with a wide range of industrial airflow requirements. Thanks to their advanced, high-efficiency compressor technology, Inovair Compressors can produce 10 to 35% energy savings relative to positive displacement blowers.

The Inovair 5000 Compressor will be available late 2011.

