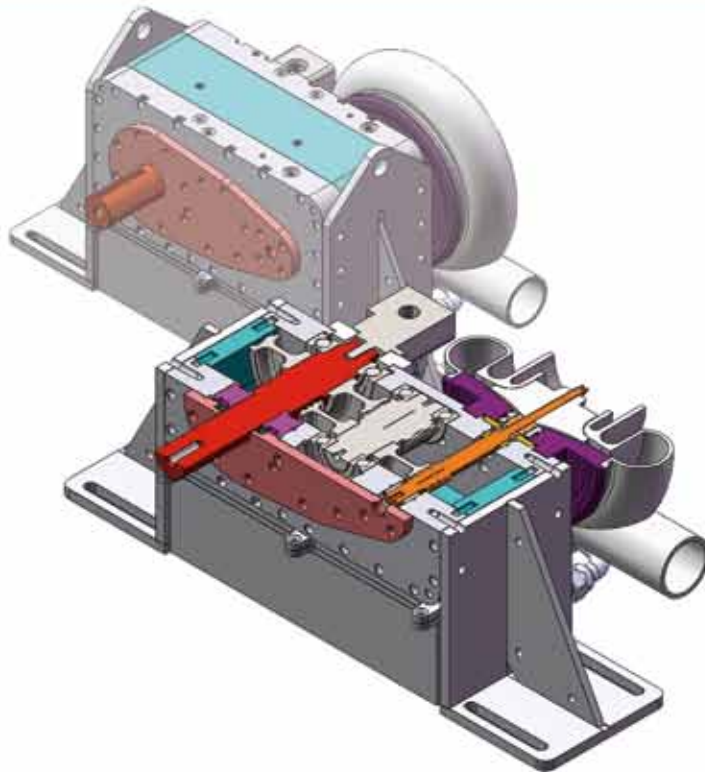


### The Most Compact and Economical High-Performance, High-Efficiency Centrifugal Compressors



- 1,400 CFM at 24/7 Duty Cycles
- 17.5:1 Step-Up Ratio; Internally Geared
- 5 – 25 psi Operational Range
- Low Energy / Power Requirements provide significant energy savings, typically 10 - 35%
- Stationary or Portable / Mobile Configurations
- Low Operational Noise Level
- Lower Compressed Air Temperatures vs. Typical Positive-Displacement Blowers
- Self-Contained Lubrication System
- Compatible / Available with Airflow Control Systems
- Compact Size / Small Footprint
- Available Mid 2011

### Inovair™ 1400 Compressor: Patented and Proven Centrifugal Compressor Technology Provides Substantial Energy Savings

Offering some of the lowest cost per cfm, the Inovair 1400 Compressor is similar in design to the Inovair 2200 and will be compatible with a wide range of industrial airflow requirements in both stationary and portable configurations. Thanks to its advanced, high-efficiency centrifugal compressor technology, the Inovair 1400 can provide energy savings of 10 to 35% relative to positive displacement blowers. The Inovair 1400 will feature a small installation footprint, while its compact size will make it even more suitable for confined installations or portable/mobile applications.

The Inovair 1400 will be available Mid 2011.

